

# ACCENTRONIX

## Advanced Electric Fence Control

Smart Access Control System



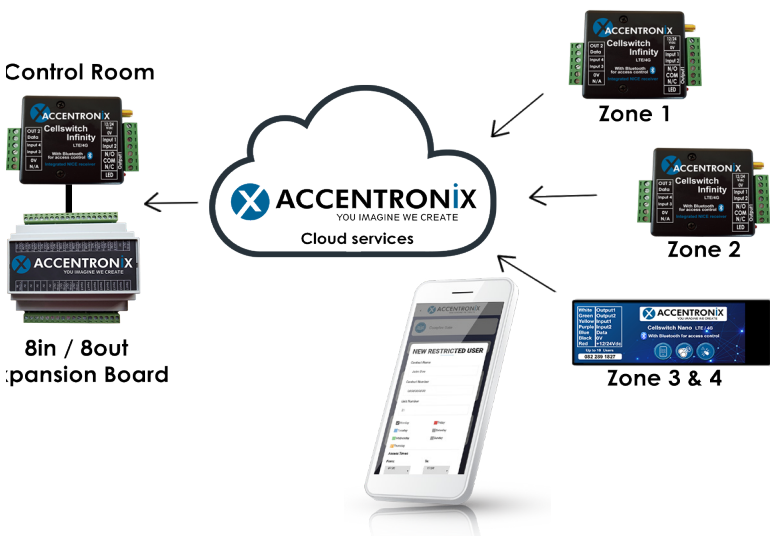
### General Features

- **Monitor alarms, fence voltages, battery voltage and power failures.**
- Seamlessly connects directly to the energizer's keypad data interface.
- **Advanced integration with all popular brands and models.**
- Monitor and control your fence with buttons on the app, missed call, SMS.
- Automatically switch the energizer to high/low voltage or turn it on and off during certain times and days.
- Install the **Accentronix Smart Home App** to control your electric fence by a push of a button and for unlimited alarm and status messages.

## SETUP YOUR ELECTRIC FENCE

# 5 SIMPLE STEPS

- 1 Connect the Cellswitch to the keypad data connection on the energizer. (Exactly as per diagram)
- 2 Register the device by using the app or website and select the Energizer Model.
- 3 Add your own mobile number on the Access Control section.
- 4 Click on the Update button and wait one minute for the green LED to flash slowly.
- 5 Press the buttons that will automatically appear in the app to get the fence status and turn the fence on and off. You can also SMS On, Off and Status to control the fence by normal SMS.



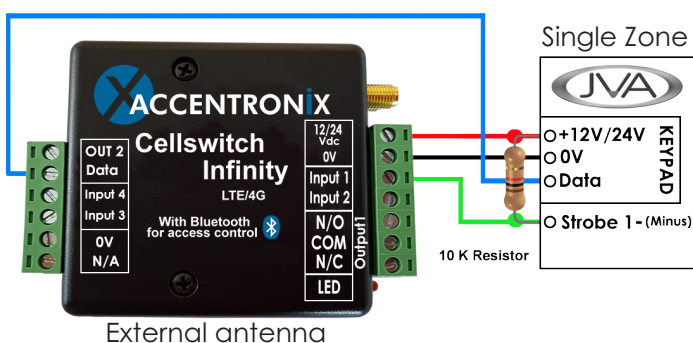
## TIPS & FEATURES

- Use the app to send any keypad command to the energizer i.e. 1234#
- **Link multiple devices** to send their alarms to a central point in the security office.
- Send multiple keypad commands in one message separated by a space to configure any setting on the energizer. i.e. 012345\*0# 261# \*#
- Max 5 alert messages per day to prevent excess alerts sent. Re-arm to reset count.
- Both a Cellswitch and conventional energizer keypad may be connected to the energizer at the same time.
- **Control a gate or lights with Output 1.**
- Control Output 1 and Output 2 on your Accentronix Smart Home App.
- Do NOT connect anything to Output 2 of the Cellswitch while in energizer mode.
- Connect two energizers to a Cellswitch by setting them in Master-Slave mode.
- Our system is also integrated with **Patriot Alarm Monitoring Software.**

## Connection to Electric fence

- If a keypad and a Cellswitch are connected simultaneously, it may be necessary to connect a 10K resistor over 12V and Data on the Cellswitch.

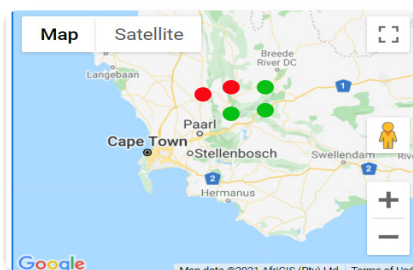
Go to [www.accentronix.co.za/fence](http://www.accentronix.co.za/fence) for more info.



### Commands

- On Off 1234#** to control the energizer.  
**HP LP** for High/Low Power.  
**Status** to get the current energizer status.  
**Lights on** and **Lights off** will control Output 1.

### Live Dashboard view



### Get in Touch

Office and Technical: +27 21 330 5016  
 Technical support WhatsApp line: +27 63 631 0314  
[support@accentronix.co.za](mailto:support@accentronix.co.za)  
[sales@accentronix.co.za](mailto:sales@accentronix.co.za)  
[www.accentronix.co.za](http://www.accentronix.co.za)

