

ACCENTRONIX

Wired & Wireless Bluetooth Keypads Smart Access Control System



General Features

- Multiple Wired and Wireless Keypads can be connected to an Intercom or Cellswitch.
- Wired keypads do not require batteries and have illuminated buttons.
- Wired Keypads: 30 meter max cable length.
- Wireless Keypads: 30 meter range.
- Battery life: 20 000 OTPs (Batteries Included)

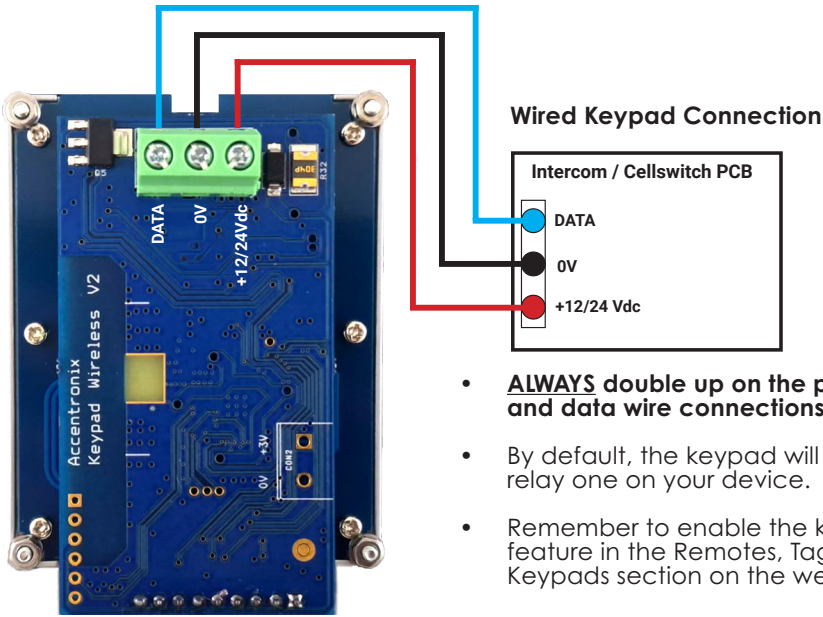
VISITOR ACCESS ONE-TIME-PIN

Accentronix keypads are used for access control and visitor OTP features. A resident can use the Accentronix Smart Home App to invite visitors. The visitors will receive an SMS or WhatsApp with a PIN code that they can use at the gate.

HOW TO INVITE A VISITOR USING THE APP

1. First, install the Accentronix Smart Home App from your app store.
2. Devices that are linked to the resident's mobile number will automatically appear in their Accentronix Smart Home App.
3. Click on the invite visitor button to add visitors.
4. Visitors can be restricted to one entry and one exit, or allowed access for the whole day. Future-dated PINS can also be generated.
5. The visitor will receive an SMS or WhatsApp containing their OTP, instructions, and a Google Maps link to the property, provided it is configured on the portal.
6. As soon as the visitor uses the OTP, the resident will immediately receive a notification.





WIRED KEYPAD OPTIONS:

Enter one of the following codes below or change the output that the keypad must control. This must be done within five minutes after applying power to the wired keypad.

- **Output 1:** * # # # # 0 8 5 2 # 1
- **Output 2:** * # # # # 0 8 5 2 # 2
- **Output 3:** * # # # # 0 8 5 2 # 3

Troubleshooting: Wired Keypad

- The keypad LEDs will keep flashing if there is a communication error between the keypad and the Intercom or Cellswitch.
- Do not run keypad wires close to high voltage cabling.
- Use shielded cabling where possible. If only 4-core wire is available, double up on the 0V connection.

WIRELESS KEYPAD OPTIONS:

Enter one of the following codes below to change the keypad modes:

*** 0 * * * Button Backlight flashes on key-press (Default)**

*** 1 * * * Button Backlight stays on after key-press (Reduces battery life)**

- The keypad range is similar to a typical Bluetooth connection, like your phone to a wireless speaker.
- Log into the portal, go to Wireless Keypads and click "Learn." Press "0" on the keypad five times. Once the keypad is learned, select the output you want to control in the portal.

Get in Touch

Office and Technical:
+27 21 330 5016

Technical support WhatsApp line:
+27 63 631 0314
Support hours:

Weekdays: 8:30-17:00
Saturday: 9:30-13:00

Sunday and Public holidays: 9:30-11:00

sales@accentronix.co.za
support@accentronix.co.za

www.accentronix.co.za

